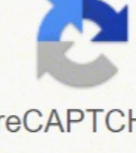
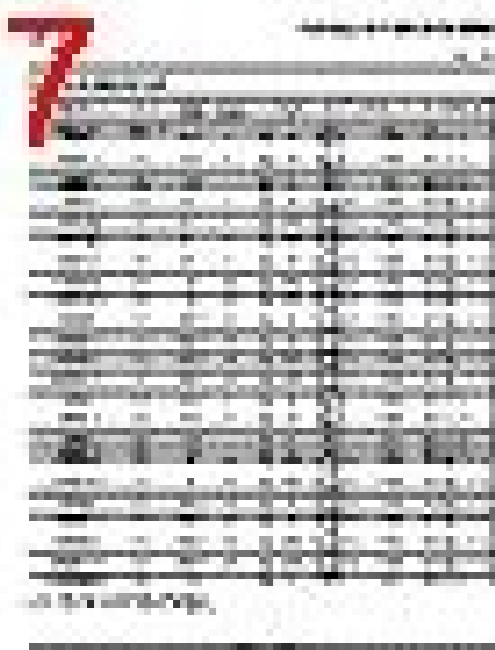
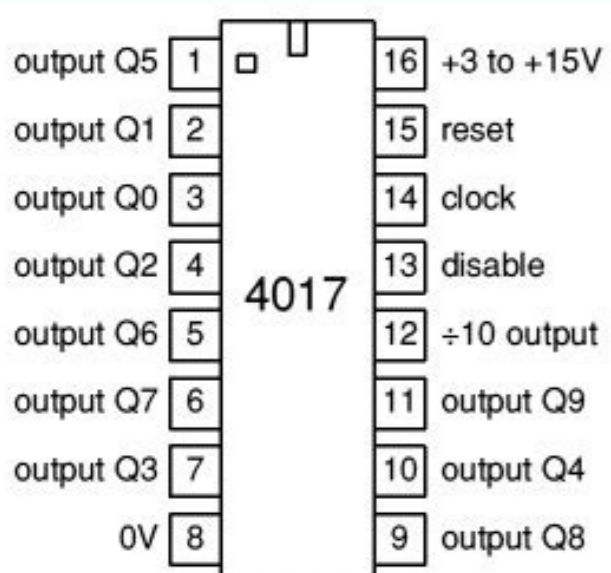


I'm not robot  reCAPTCHA

[Continue](#)



**FABRILIC** (Logo)

Order 1007  
Revised January 1988

### CD4017BC - CD4022BC

#### Decade Counter/Divider with 10 Decoded Outputs - Divide-by-3 Counter/Divider with 3 Decoded Outputs

**General Description**  
The CD4017BC is a 4-stage divide-by-10 Johnson counter with 10 decoded outputs and a carry-out. The CD4022BC is a 4-stage divide-by-3 Johnson counter with 3 decoded outputs and a carry-out. These counters are cleared to their zero state by a logical "1" control input. These counters are addressed on the positive edge of the clock signal when the clock enable input is in the "enable" state.

**Features**

- Wide supply voltage range - 3.0V to 15V
- High noise immunity - 0.45 V<sub>DD</sub> (typ)
- Low power - 100 nA (typ) at 10 MHz
- 100% compatibility with 74HC (typ)
- Medium speed operation - 1.0 MHz (typ) with 100 pF
- Low power - 10 μA (typ)
- High speed operation

**Applications**

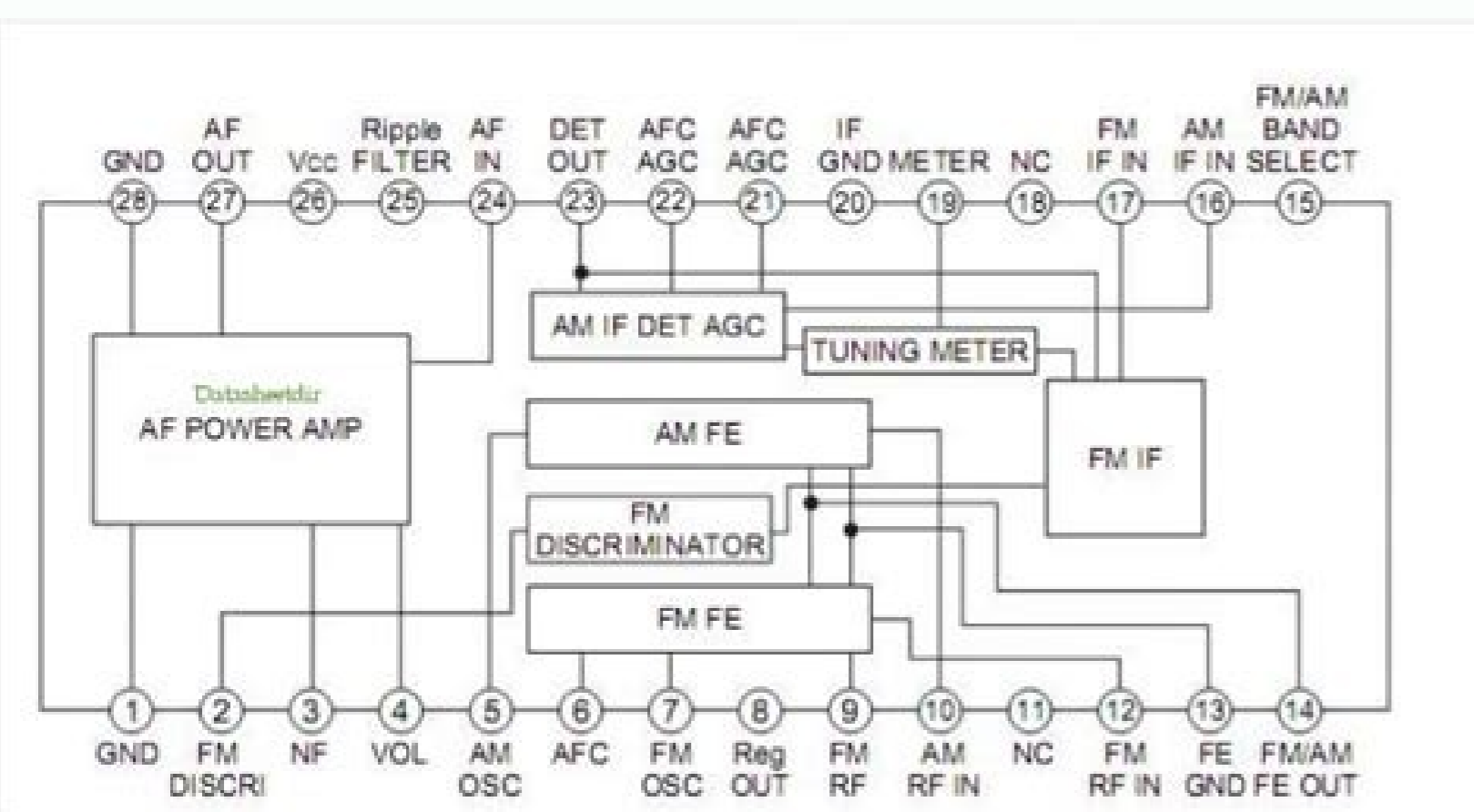
- Automotive
- Instrumentation
- Timing applications
- Control systems
- Logic applications
- Communication

**Ordering Code:**

Orderable	Package Number	Package Description
CD4017BC	1618	16 Lead Small Outline Integrated Circuit (SOIC), JEDEC MO-18C, 16 Pin
CD4017BC	1618	16 Lead Small Outline Package (SOP), JEDEC MO-18C, 16 Pin
CD4017BC	1618	16 Lead Plastic Dual In-Line Package (PDIP), JEDEC MO-18C, 16 Pin
CD4022BC	1618	16 Lead Small Outline Integrated Circuit (SOIC), JEDEC MO-18C, 16 Pin
CD4022BC	1618	16 Lead Plastic Dual In-Line Package (PDIP), JEDEC MO-18C, 16 Pin

**Connection Diagrams**

CD4017BC - CD4022BC Decade Counter/Divider with 10 Decoded Outputs - Divide-by-3 Counter/Divider with 3 Decoded Outputs



ic cd4017be datasheet. Ic cd4017be datasheet pdf. Cd4017be datasheet pdf. Cd4017be decade counter datasheet. Texas instruments cd4017be datasheet.

The CD4017B and CD4022B types are supplied in double dual-line packets in 16 sorts (F3A suffix), dual plastic package in line of 16 dials (suffix e), small line packets, 16 Wool (NSR suffix) and thin and thin packages of 16 dials, small suffixes (PW and PWR). The PN2222 is the same as 2N2222? PN2222 vs 2N2222 for most proposals, they are interchangeable. What is life and hfe? HFE is an abbreviation and means "chain gain for the current parano, common emitter" and is a measure of the CC gain of a junction transistor. The HFE (which is also called A<sub>v</sub>) is the factor by which the base current is amplified to produce the amplified current of the transistor. CAD Petembol models Research for CD4017BE PILUST CD Model Model Research, VOP- 10V- Syntric output characteristics at 20 V references-5-V, 10-V and 15-V Ratings Paraa © Tricos-Autende to all the requirements of Jeduc attemptive Standard No. 13a<sup>2</sup>, standard specifications for description of 'B' 'B' 'B' Counter Decador /Decimal Decisions Display (CD4017b) e - Control/Timer-Divided by N, Contagem-to obtain more information on the application, see ICAN-6166 A cos/MOS MSI Contador and register delinestation and apps. The types of CD4017B and CD4022B are supplied in double double-line packets in line of 16 dialeres (F3A suffix), dual plastic package in line of 16 dialeres (suffix and), 16 small small dials Outline packages (NSR suffix) and 16-sized packages of 16 dialeres (PW and PWR suffixes). The rolling line is inhibited when the sign of inhibition of the relief is tall. First, first, the Package, the PN2222 is in a molded eponx to 92; 2N2222 is in a metal to-18 can. Inputs include a relief. Definition and a sign of animation of the relief. CD4017BE PACKAGE NAME N PDIP PACKAGE TYPE 16 SQP 25 L (mm) 506 W (mm) 13.97 t (a@m) 11230 b (mm) 4.32 Datasheetcd4017BE DATASHEET Attributes Product Product Attribute Attribute Value: Hollo Package / Case: PDIP-16 Counter Type: DA © Each LaGica Famália: CD4000 No Bits Member: Mother © All 10-bit count. Soncroned counting: Operational food tension UP: 3 to 18 V Mother Operating Temperature: - 55 C Mother temperature of operations: + 125 C SA © Rio: CD4017B Packaging: Function Tube: Counter Operating Temperature Range: - 55 C A + 125 C Saáda Chain: +/- 1.5 mA Brand: Texas Instruments Product Type: ICS Factory Pack Accountant Quantity: 25 Subcategory: Counter ICS UNIT UNIT WEIGHT: 0.033570 OZ A FABRICA INCORPORATED (IT) American-based American, Texas, which designs and manufactures semiconductors and integrated circuits, which sells designers of electronics and manufacturers globally. TYPE. PULSE MODELING What is a 4017 counter? It is used as an amplifier to amplify the tension, current and energy. The mother amount of current that can flow through the collector's pin is 800ma, so we can not connect loads that consume more than 800um using this transistor. Min Each decoded output remains high for a complete relief cycle. The CD4017 is used for low range counting applications. The CD40178 types are also supplied in 16-dial-to-line Sma-to-Line packages (Suffixes M and M96). What is life bjt? Of a transistor is the current gain or the amplification factor of a transistor. Which device is the 2N2222 transistor used? Usually it is used in automation projects and incorporated. ICBO COLLECTOR CUTTING UNIT (ie = 0) VCB = 50 V, 10 Na VCB = 50 Vain e A also = 150 A e 2 z, 10 Aó@ia lebo Cuncutoff Cancect (IC = 0) (BR) CBO Collector-base base tortage (ie = 0) IC = 10 A@60 e V V (br) CEO\* Decomposition tension (ib = 0) IC = 10 mA 30 e V (br) eboá e emitter-beams Breaker tension (IC = 0) ie = 10 a \* 5 e VCE (SAT)\* saturation tension of the collector-emitter IC = 150 maá e ib = 15 mA 0.4 V ic = 500 mahán e ib = 50 mA e 1.6 VBE (SAT) \* Saturation tension of the base emitter IC = 150 maá e ib = 15 mA 1.3 V ic = 500 MAá e IB = 50 mA 2.6 V HFE\* DC Current gain IC = 0.1 MAá e vce = 10 V 35, , IC = 1 ma, IC = 150 MAÁ e vce = 10 V 100 300 IC = 500 MAÁ e vce = 10 V 30 A e e e = 150 MAÁ e VCE = 1V 50 e Ft Frequency = 100 mhz e vce = 20 v 250 mhz Ccho Capacitan e Base collector this © = 0 f = 100 kHz vcbá e = 10 v e 8 pf re (hie) part of input impedance ic = 20ma f = 300 mhzá e e vceá e = 20 v 6. Schmitt trigger action in the relief input circuit provides pulse modeling that allows the unlimited and time input pulse to increase inlet pulse and the times of autumn. The company has 45,000 patents worldwide from 2016. Connect the number 6 of the pin with pin 2 and connect the positive terminal of capacitor 10 μF with it and the negative terminal with the ground. It is an abbreviated bipolar crossing transistor as BJT. It was originally manufactured in the to-18 metal, as shown in the figure. A high restart signal cleans the counter to your zero count. 2N2218/2N2219 Approved to CECC 50002-100, 2N2221/2N2222 Approved to CECC 50002-101 disposed by request. The anti -Blocking lock is provided, thus ensuring the proper counting sequence. TYPE. Mother. But if you are not planning to emphasize the high (higher tensions, etc.), both work good, especially for simple commutation and wide circuits. The decoded output is usually low and is high only in the respective decoded time interval. mm inches min. 10 and 8 What does Schmitt Trigger Action provide? A sign of realization In the cycle every 10 relief cycles of the CD4017B or every 8 \*of the entry of the relief cycles on the CD40222bá e and used to fill the next device in a vain counting chain. of data-18 mecania. Internal forgetful diagram Ratings Absolute ratings Sambolo Value of the Paran e Metro Unit VCbo Trension of Base (ieá e = 0) 60 V Tension of the collector Ib = 0) 30 V Vebóá e Rate Emitter-Base Tension (ican e = 0) 5 V IC Collector Current (can e = 0) 0.8 A Pto T Total Power Dissipation at T Amb e A ours FOR 2N2218 AND 2 N2219 0.8 W FOR 2N2221 AND 2 N2222 AT TCASAN AND Á Á Á Á Á Á As Storage -65 to 200 ° C t junicio junction temperature 175 ° C-Ambient max 300 á e 2 z z z © tricas (tamba = 25 ° C, unless specified from another form), parano of parano of parano e meter test of conditions mi n. It is designed for high-speed switching applications to attend 500 mA collector currents and has a current gain in a wide range of collector current, low leakage currents and short saturation tensions. Á E e. Why is 2N2222 used? 16-Lead Hermetic Dual-Inline Ceramic PackagePage 2catalog Descripthe 2N2218, 2N2219, 2N2221 and 2N2222 ARE Silicon Epitaxial NPN Transistors in Jeduc to-39 (for 2N2218 and 2N2219) and in Jeduc To-18 (for 2N2222) cases. Faghow many decoded CD4017B and CD4022B outputs? These used transistors used to motor drive circuits such as VFD or variable frequency units. What are the types CD4017B and CD4022B provided? A 12.7 0.500 B 0.49 0.019 D 6.6 0.260 and 8.5 0.334 F

